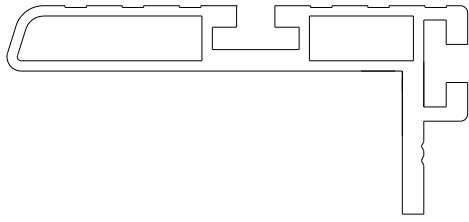
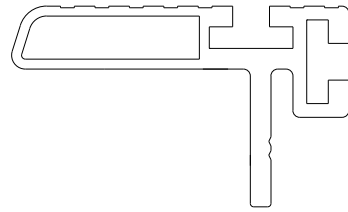


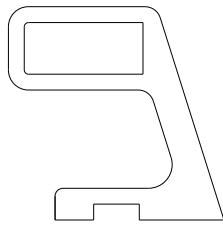
Click on a shape to see it full page with dimensions



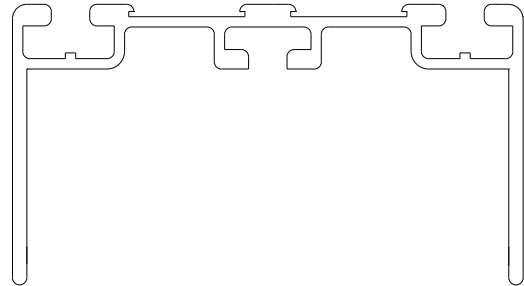
Pick-up Trak Type A



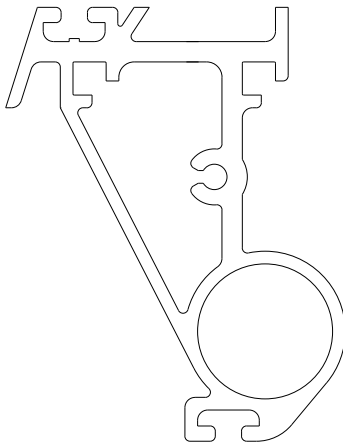
Pick-up Trak Type B



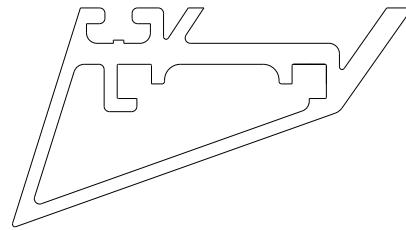
Truss Mount



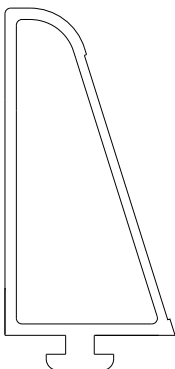
Leg / Crossmember Channel



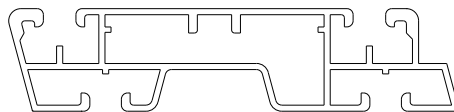
Heavy Gusset



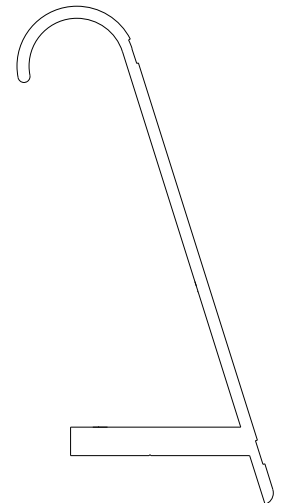
Standard Gusset



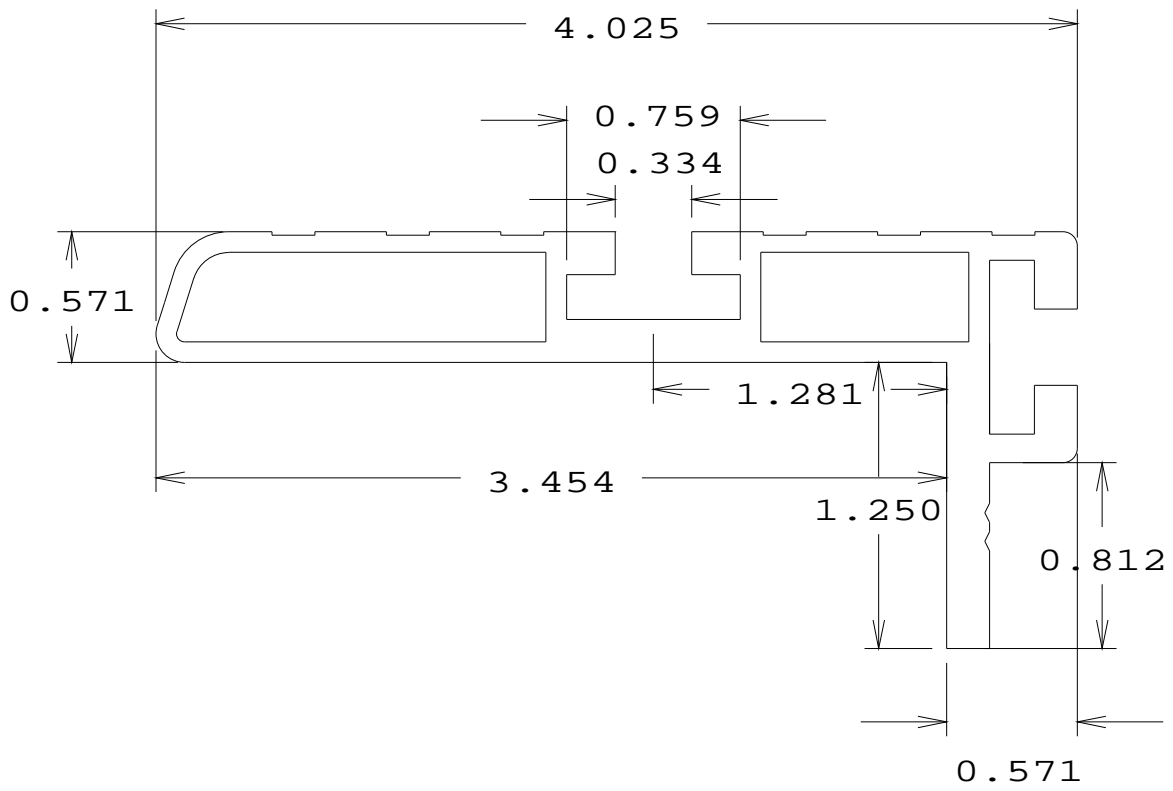
Side Stop



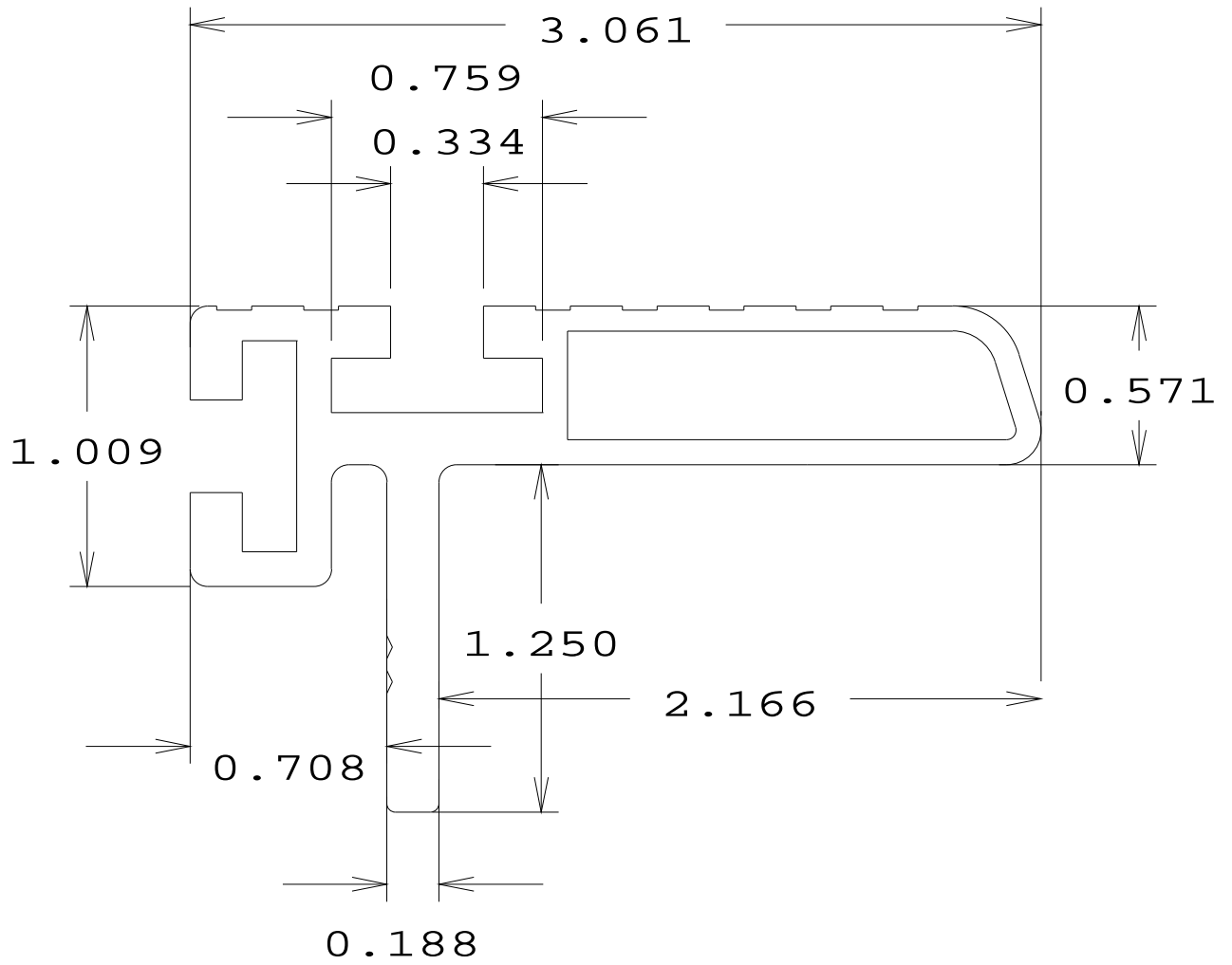
Extension Beam Crossmember



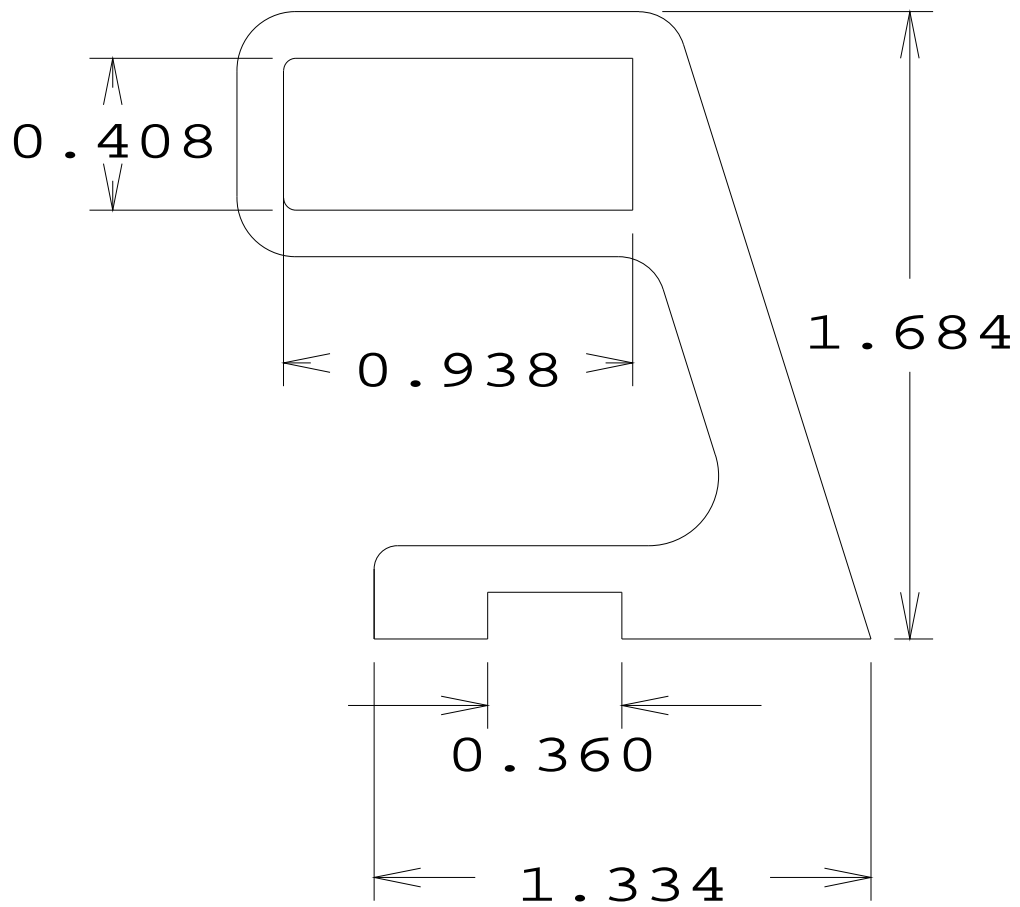
Extension Beam



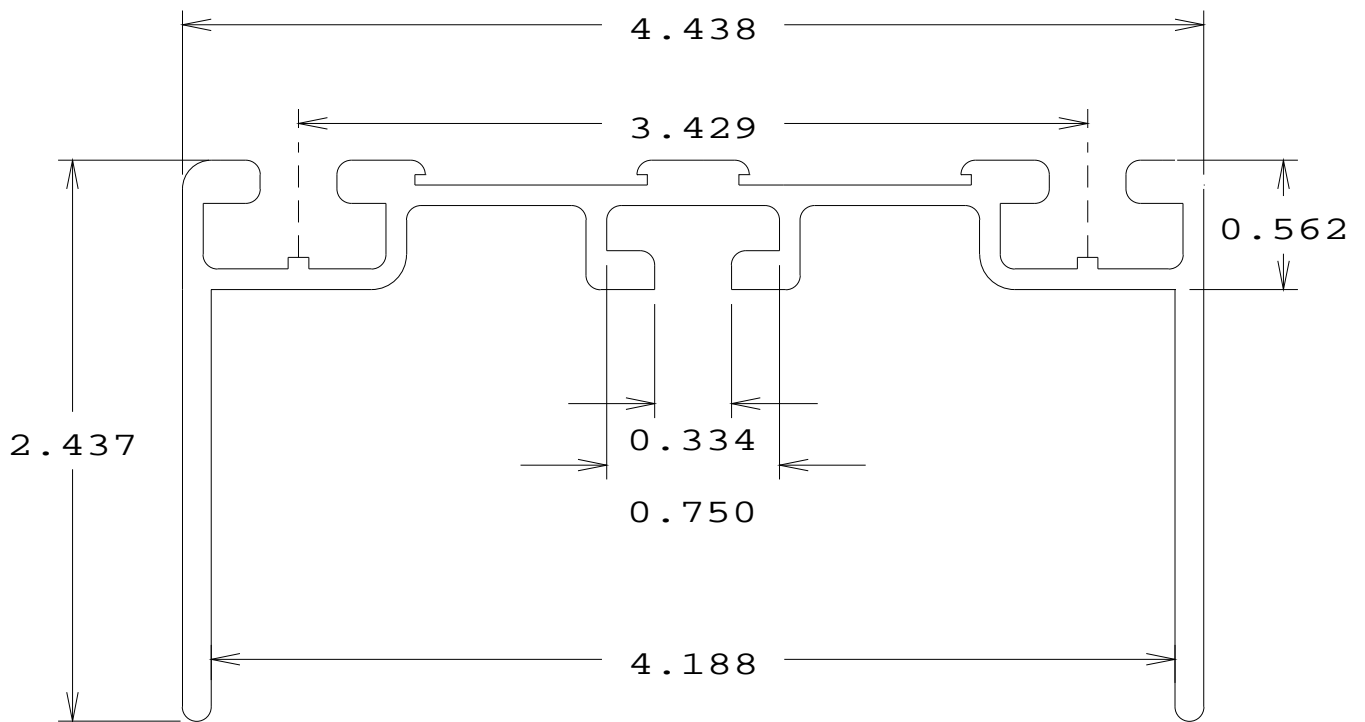
A Trak
6664 6063 T-6
Christensen Manufacturing Corp.



B Trak
6663 6063 T-6
Christensen Manufacturing Corp.



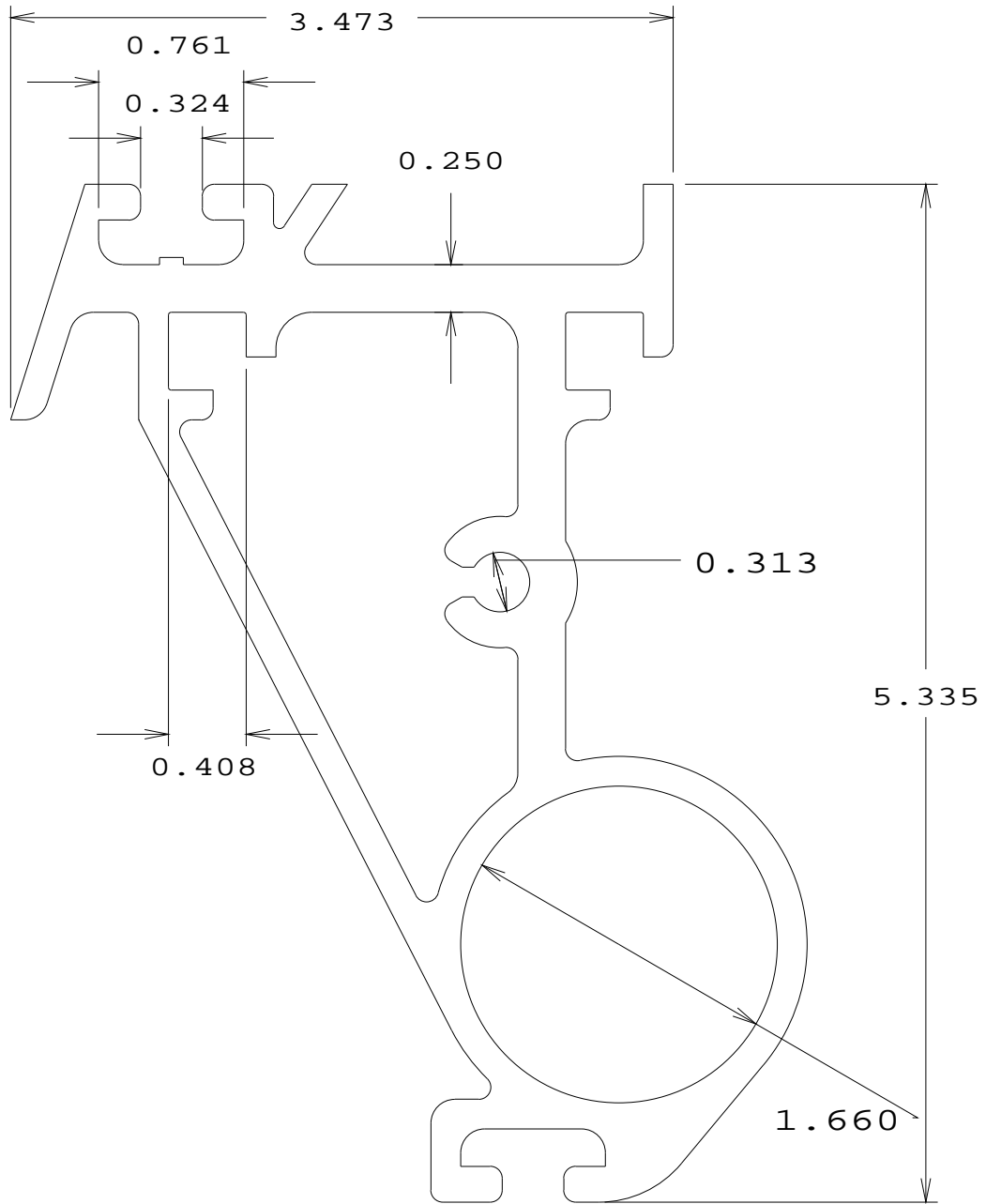
Truss Mount, Standard
6155 6063 T-6
Christensen Manufacturing Corp.



Channel, Leg / Crossmember

6665 6063 T-6

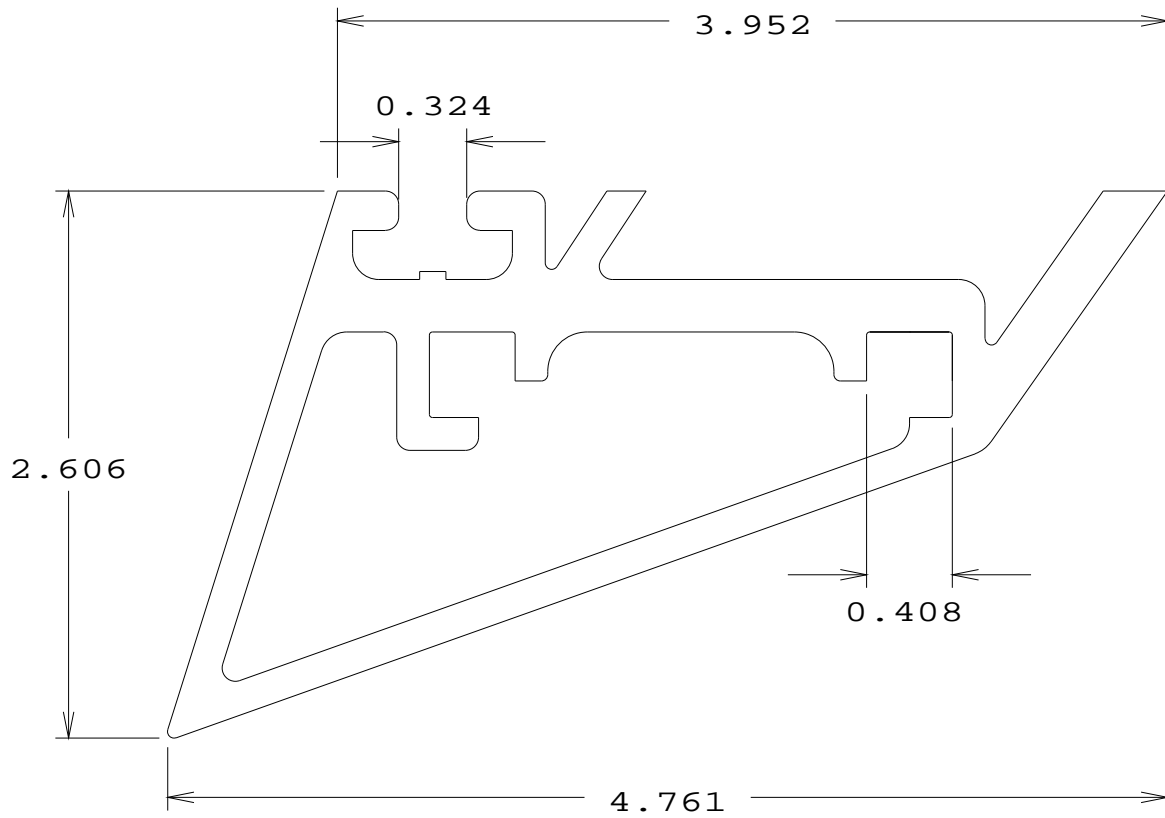
Christensen Manufacturing Corp.



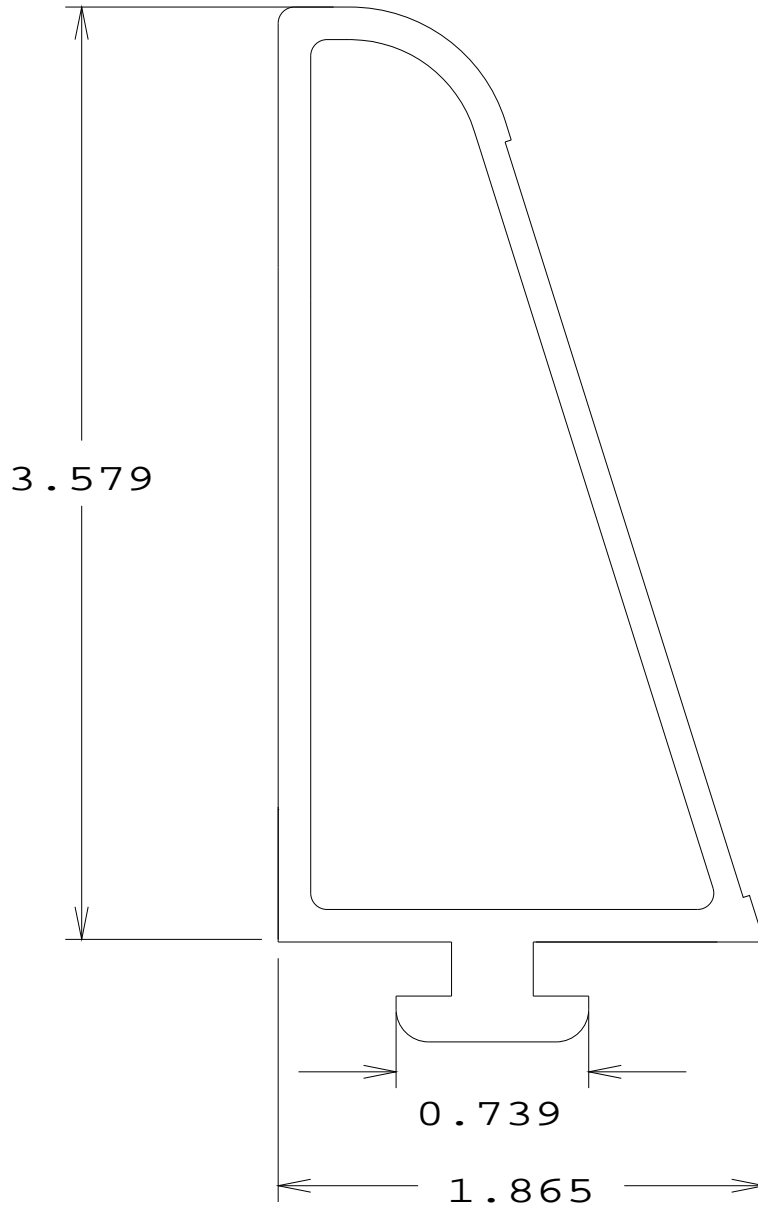
Heavy I.T.S. Gusset

6669 6063 T-6

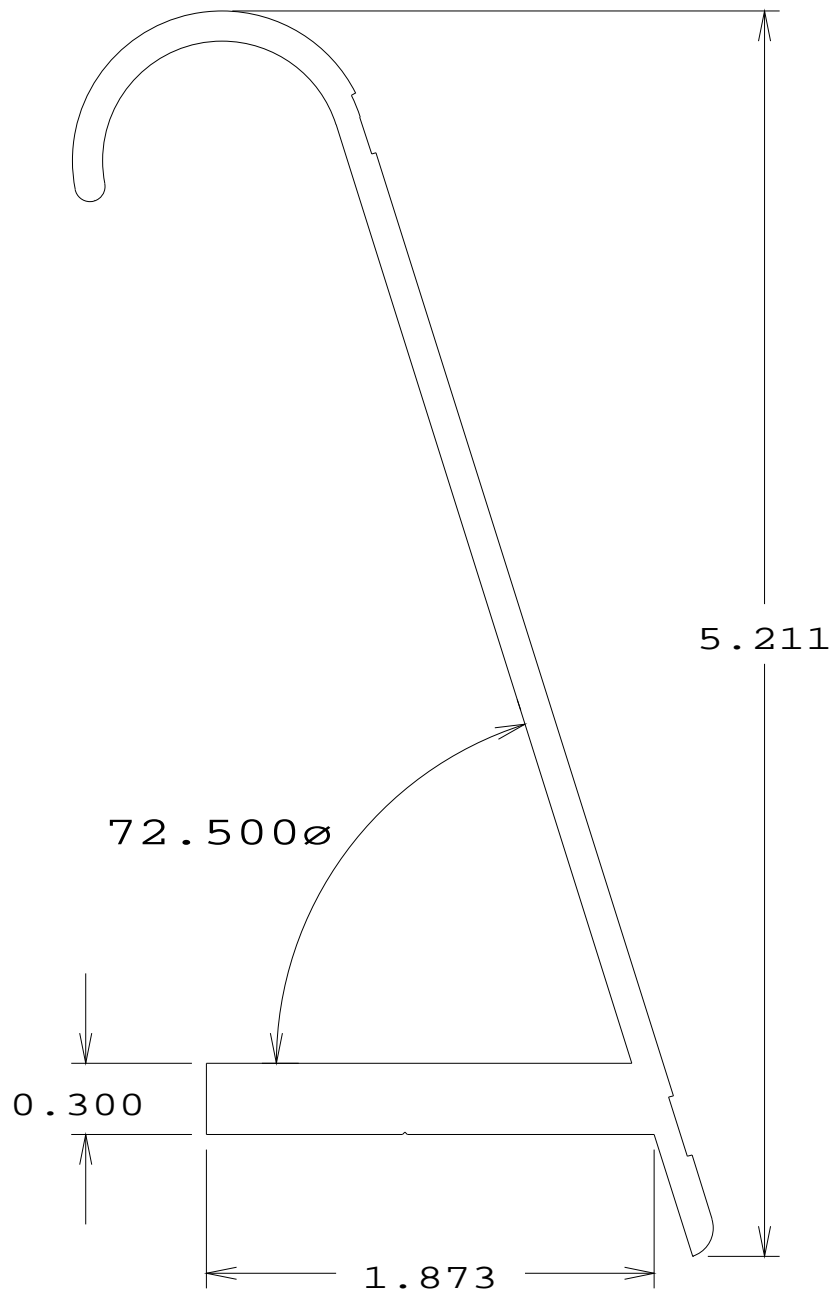
Christensen Manufacturing Corp.



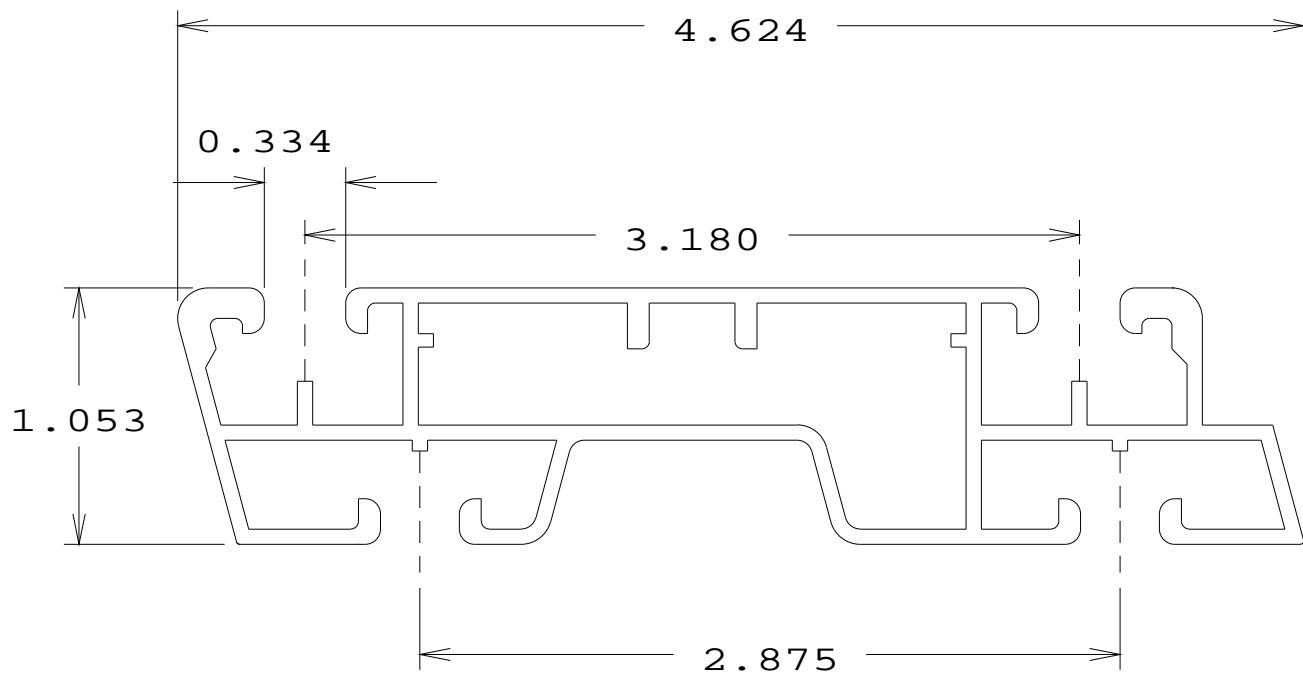
Standard Gusset
6708 6063 T-6
Christensen Manufacturing Corp.



Side Stop, Pick up
6304 6063 T-6
Christensen Manufacturing Corp.



Extension Beam
5993 6063 T-6
Christensen Manufacturing Corp.



Extension Beam / Van Crossmember

7357 6063 T-6

Christensen Manufacturing Corp.